



Ultra high output, high efficiency LED floodlight with NEMA Types: 7H x 6V, 6H x 4V, 4H x 6V, 5H x 5V and 3H x 3V. Patent Pending airflow technology ensures long LED and driver lifespan. Use for general and security lighting for large areas, building facades, signs and landscapes.

Color: Bronze

Weight: 66.9 lbs

|                     |              |
|---------------------|--------------|
| <b>Project:</b>     | <b>Type:</b> |
| <b>Prepared By:</b> | <b>Date:</b> |

| Driver Info  |                  | LED Info        |         |
|--------------|------------------|-----------------|---------|
| Type:        | Constant Current | Watts:          | 300W    |
| 120V:        | 2.69A            | Color Temp:     | 5000K   |
| 208V:        | N/A              | Color Accuracy: | 72 CRI  |
| 240V:        | N/A              | L70 Lifespan:   | 100000  |
| 277V:        | N/A              | Lumens:         | 38292   |
| Input Watts: | 315W             | Efficacy:       | 122 LPW |
| Efficiency:  | 95%              |                 |         |

## Technical Specifications

### Listings

#### UL Listing:

Suitable for wet locations. Suitable for ground mounting.

#### IESNA LM-79 & LM-80 Testing:

RAB LED luminaires have been tested by an independent laboratory in accordance with IESNA LM-79 and LM-80, and have been received the Department of Energy "Lighting Facts" label.

#### DLC Listed:

This product is on the Design Lights Consortium (DLC) Qualified Products List and is eligible for rebates from DLC Member Utilities.  
DLC Product Code: PF5PMFXJ

### Electrical

#### Drivers:

Constant Current, 1050mA, 50/60 Hz, 120-277V, 4 kV surge protection, 120V: 2.69A, 208V: 1.57A, 240V: 1.36A, 277V: 1.18A, THD <20%, Power Factor: 99%

#### THD:

6.8% at 120V, 10.9% at 277V

#### Photocell:

120V Swivel Photocell Included. Photocell is only compatible with 120V.

### Optical

#### NEMA Type:

NEMA Beam Spread of 7H x 6V

### LED Characteristics

#### Lifespan:

100,000-hour LED lifespan based on IES LM-80 results and TM-21 calculations.

#### LEDs:

Multi-chip, high-output, long-life LEDs

#### Color Consistency:

7-step MacAdam Ellipse binning to achieve consistent fixture-to-fixture color.

#### Color Stability:

LED color temperature is warranted to shift no more than 200K in CCT over a 5 year period.

#### Color Uniformity:

RAB's range of CCT (Correlated Color Temperature) follows the guidelines of the American National Standard for Specifications for the Chromaticity of Solid State Lighting (SSL) Products, ANSI C78.377-2017.

### Construction

#### IP Rating:

Ingress Protection rating of IP66 for dust and water

#### Maximum Ambient Temperature:

Suitable for use in 40°C (104°F) ambient temperatures

#### Effective Projected Area:

EPA = 4

#### Cold Weather Starting:

Minimum starting temperature is -40°C (-40°F)

#### Thermal Management:

Superior thermal management with external "Air-Flow" fins.

#### Lens:

Tempered glass lens.

#### Housing:

Die-cast aluminum housing and door frame

#### Mounting:

Heavy-duty Trunnion mount with stainless steel hardware

#### Reflector:

Specular and semi-specular vacuum metalized polycarbonate

#### Gaskets:

High-temperature silicone gaskets

#### Finish:

Formulated for high-durability and long lasting color.

#### Green Technology:

Mercury and UV free. RoHS compliant components. Polyester powder coat finish formulated without the use of VOC or toxic heavy metals.

### Other

#### Warranty:

RAB warrants that our LED products will be free from defects in materials and workmanship for a period of five (5) years from the date of delivery to the end user, including coverage of light output, color stability, driver performance and fixture finish.

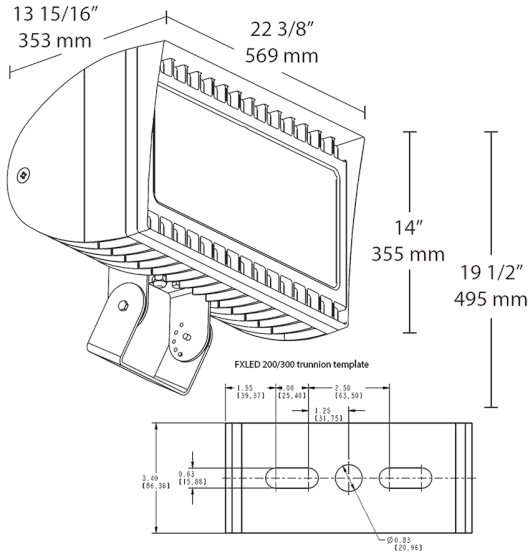
#### American Bureau of Shipping (ABS) :

For use on Mobile Offshore Drilling Units (MODU) and shipping vessels.

## Technical Specifications (continued)

|  |  |   |
|--|--|---|
| <p><b>Other</b></p> <hr/> <p><b>Replacement:</b><br/>Replaces 1000W Metal Halide</p> | <p><b>FTC Country of Origin:</b><br/>This product was assembled in the USA by RAB using imported components.</p> | <p><b>Buy American Act Compliance:</b><br/>This product complies with the Buy American Act.</p> |
|--|--|---|

### Dimensions



### Features

- 300W replaces 1000 MH floodlights
- 100,000-hour LED lifespan
- 5-year No Compromise Warranty

### Ordering Matrix

| Family | Wattage                  | Mounting                        | Color Temp  | NEMA Type   | Finish                      | Driver Options   | Options  |
|--------|--------------------------|---------------------------------|---|---|-----------------------------|--|--|
| FXLED  | 300                      | T                               |   |   |                             |  | /PCS   |
|        | 200 = 200W<br>300 = 300W | SF = Slipfitter<br>T = Trunnion | Blank = 5000K (Cool)<br>N = 4000K (Neutral)<br>Y = 3000K (Warm) | Blank = 7H x 6V<br>B64 = 6H x 4V<br>B55 = 5H x 5V<br>B33 = 3H x 3V<br>B46 = 4H x 6V | Blank = Bronze<br>W = White | Blank = 120V<br>/480 = 480V<br>/BL = Bi-Level (Slipfitters only)<br>/D10 = 0-10V Dimming | Blank = No option<br>/PCS = 120V Swivel<br>/PCS2 = 277V Swivel<br>/PCT = 120-277V Twistlock<br>/PCT4 = 480V Twistlock<br>/PCS4 = 480V Swivel<br>/LC = Lightcloud® Controller |